

www.massload.com www.massload.com www.massload.com www.massload.com www.massload.com  
**Mini Ultraslim Weighpad**

Our new Mini Ultraslim Weighpad is just like our regular weighpad just smaller. It is available in 3 configurations: Wired, wireless and with an integrated LCD readout. With these three options there is sure to be one to fit your needs.



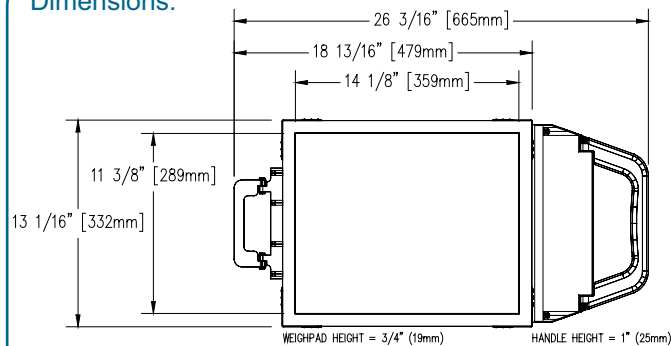
**Wireless Pad Specifications:**

- 900mhz radio link from pads to handheld.
- Range: 50m depending on environment.
- Power: 3 AAA Batteries/Pad; easily replaceable.
- Life: Over 200hrs operating time per pad.
- Sample Rate: 3 updates/second.
- Pads hibernate when the base is turned off. No power buttons. Antennas are fully protected.
- Calibration is stored individually on each weighpad, pads can be swapped in and out of system.
- Antennas are fully protected in composite plastic handles
- All electronics are fully environmentally sealed.

**Ultraslim Weighpad Specifications**

Rated Capacity	1,500 lbs (10lb graduations) or 4,000 lbs (10lb graduations)
Static Accuracy	0.25% Full Scale or better
Overload Capacity	150% of full scale
Weight	17lbs with LCD Readout
Material	High strength aluminum alloy
Stability	0.5% full scale / year
Ground Level Requirement	Level, flat, and hard surface required. Level within 1/16" over 2ft <sup>2</sup> for most accurate results (poor approach and departure will affect accuracy)
Compensated Temp Range	-10°C to +55°C for scales
Dimensions	Max: 26 3/16" x 13 1/16" x 3/4"; Weighing Surface: 14 1/8" x 11 3/8"
Environmental	Water and Dust protection, up to 95% humidity resistance
Option	Swivel handle at readout end

**Dimensions:**



**Readout Specification**

Display	5 digit, LCD
Buttons	5 buttons, On/Off, Zero, Tare, Gross/Net, Clear
Indications	Low Battery, Overload
Units	Can be calibrated in any units
Material	Impact resistant UHMW
Power Saving	Adjustable power off interval
Calibration	Multipoint linearity adjustment (up to 7 points)

