

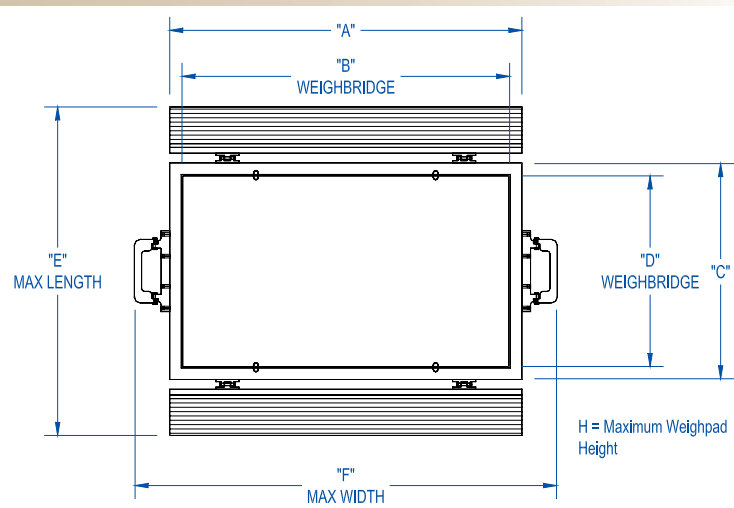
Ultralim Weighpad

Introducing Massloads **fourth** generation low profile weigh pad.

- With 20 independent micro loadcells in each pad, this is our most sophisticated electronic pad ever. Excellent for static and dynamic weighing.
- Large weighing surface, extremely low profile (from 0.63" to 0.7" high!)
- Available in capacities up to 20 tons per pad!
- Machined from lightweight, high strength aluminum, easy for transportation.
- Built in scale protection system to avoid damage from sudden braking or acceleration during measurement.
- Your choice of signal outputs. (mV/V; mA; V)
- Optional leveling track for dynamic weighing.
- IP67 sealing



Dimensions



Ultralim Weighpad Specifications

Rated Capacity	1,500 lbs 10,000lbs 20,000 lbs (5lb graduations) 40,000 lbs (10lb graduations)
Static Accuracy	0.25% Full Scale or better
Overload Capacity	200% of full scale
Material	High strength aluminum alloy
Loadcell Excitation	Minimum 5VDC, Maximum 15VDC (560Ω +/-50Ω)
Output	0.6m to 1.0mV/V
Stability	0.5% full scale / year
Ground Level Requirement	Level, flat, and hard surface required. Level within 1/8" over 4ft ² for most accurate results (poor approach and departure will affect accuracy)
Compensated Temp Range	-10°C to +55°C for scales
Environmental	Water and Dust protection, up to 95% humidity resistance

If its an accurate, portable, and low profile weigh pad that you are looking for, look no further. This is the lowest profile weigh pad we have ever offered. The accuracy is excellent due to the 20 independent loadcells under the top plate. Accommodating for any vehicles with pneumatic tires. Measurement can be done on single or dual tires for wheels or axle load weighing (2 pad system). Be assured of accuracy and reliability with this amazing weigh pad.

Capacity	A		B		C		D		E		F		H	
	in	mm	in	mm	in	mm	in	mm	in	mm	in	mm	in	mm
1,500 lb	15.75	400	13.62	345	12.99	330	10.86	275	22.79	579	22.55	573	0.70	18
10,000 lb	22.83	580	20.70	525	13.39	340	11.26	285	23.19	589	29.63	752	0.63	16
20,000, 40,000 lb	30.50	775	28.39	721	18.62	473	16.49	418	28.43	722	36.50	927	0.70	18

