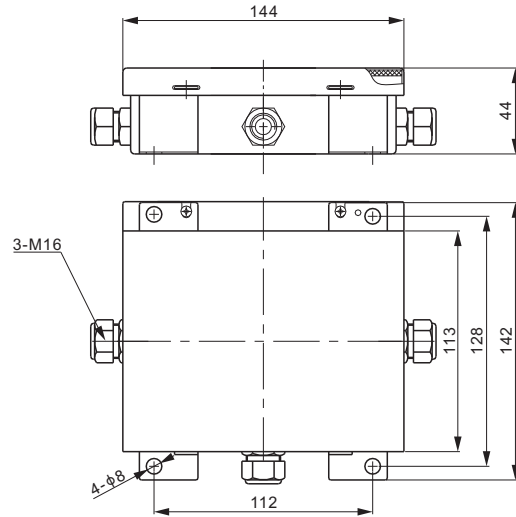
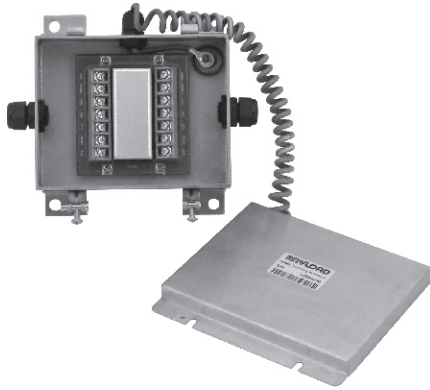


Lightning Arrester, Stainless Steel

OTHER INSTRUMENTS



SPECIFICATIONS			
Item Code	LA2	DC Spark-over Voltage(100V/s)	90 ± 25%V DC
Nominal Impulse Discharge Current	10kA (8/20 μs)	Impulse Spark-over Voltage(1kV/μs)	≤ 700V
Single Impulse Discharge Current	20kA (8/20 μs)	Insulation Resistance	≥ 10(100V DC)GΩ
AC Discharge Current(50Hz)	10A	IP Rating	IP66

DESCRIPTION:

ANYLOAD lightning arresters are designed to protect electrical devices from lightning and voltage strikes by safely blocking or diverting transient surges. Equipped with gas discharge tubes, the tubes are activated if a voltage strike is greater than 90 VAV and protect electrical devices by diverting voltage spikes to ground. The LA2 lightning arrester has a ground wire that is connected to the stainless steel enclosure and must be firmly grounded for the system protection to work.

PART NUMBER	
Part No.	Weight (kg) Approx.
LA2.....	0.8

